

# STYROCYCLERS

**THINK GREEN – BE GREEN – SAVE GREEN**

**STYROCYCLERS** offers:

EPS “STYROFOAM”™ Recycling

Public/Business Drop-off location

National Mail Back Program

**STYROCYCLER**™ EPS Densifier

Distributor for  Compacting Equipment



849 Pickens Industrial Dr. Suite 14 Marietta, GA 30062 Tel: (678)594-0941 Fax: (678)594-0949

Email: [sales@styrocyclers.com](mailto:sales@styrocyclers.com) [www.styrocyclers.com](http://www.styrocyclers.com)

# STYROCYCLERS

## STYROCYCLER™- SPECIFICATIONS

Power Requirements – 115V/20Amps Single Phase

Capacity – approx. 35 to 40 lbs/hr.

Block Size – approx. 4.7" x 4.7"

Motor – 1.5 kW

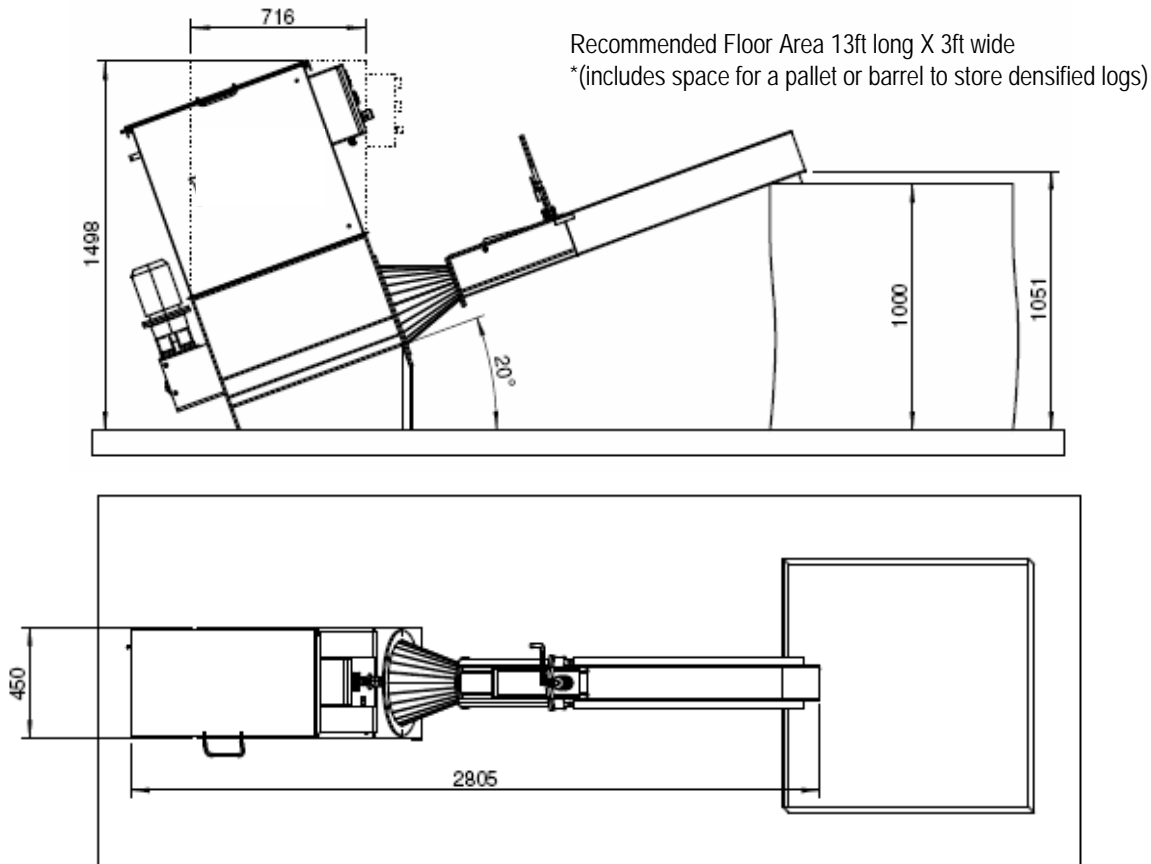
Dimensions – H= 5Ft (at highest point) x W=1'7" x L=9'2"

Feed Opening – 26" x 12"

Floor Space – 13' x 3' includes space for pallet to stack densified logs.

Tilted for ergonomic handling of densified logs.

Optional wheel kit available to run level and move easily in large warehouses.



**THINK GREEN – BE GREEN – SAVE GREEN**

**Call STYROCYCLERS**

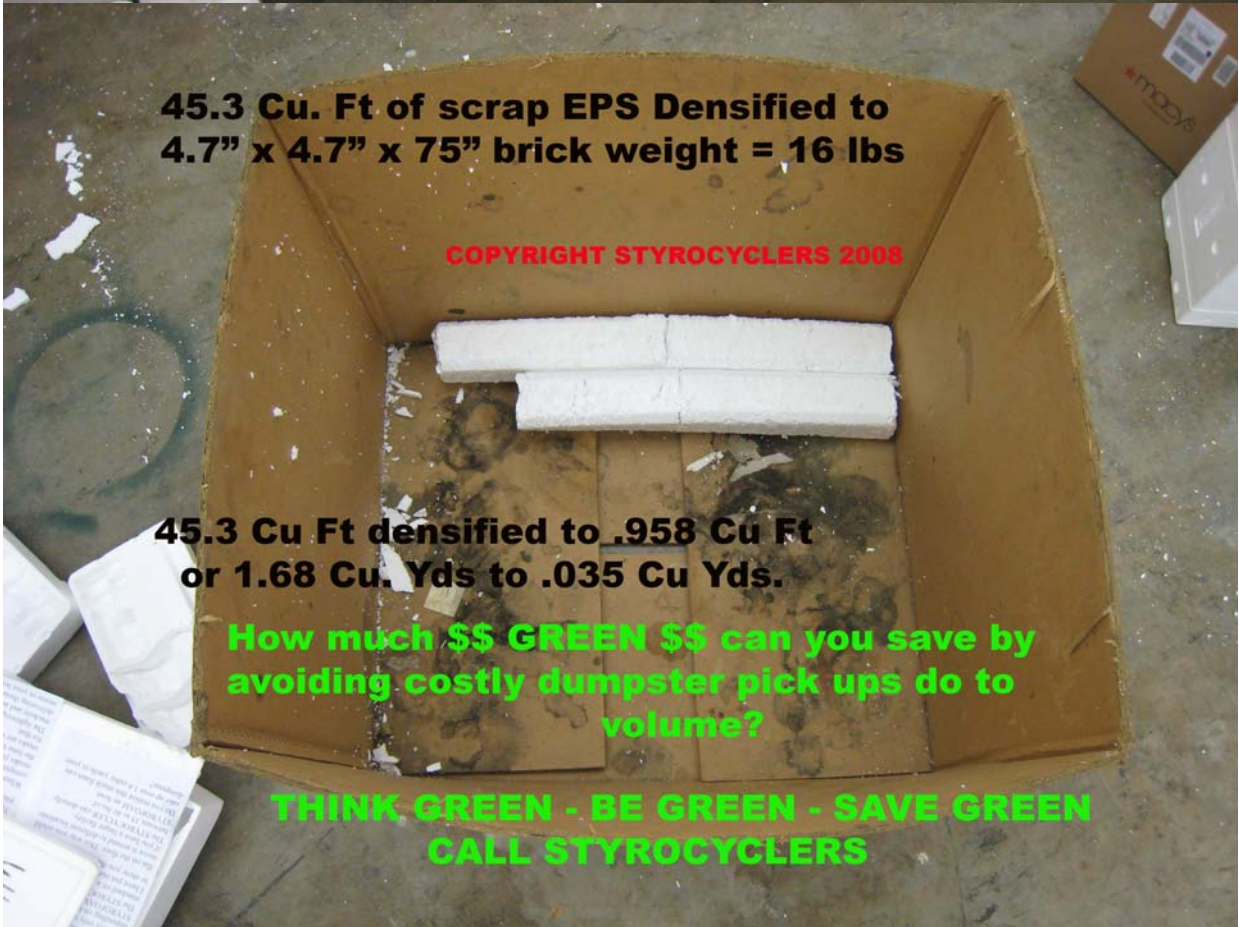
849 Pickens Industrial Dr. Suite 14 Marietta, GA 30062 Tel: (678)594-0941 Fax: (678)594-0949

Email: [sales@styrocyclers.com](mailto:sales@styrocyclers.com) [www.styrocyclers.com](http://www.styrocyclers.com)



**45.3 Cu. Ft. box collected from local Air Force Base.**

**COPYRIGHT STYROCYCLERS 2008**



**45.3 Cu. Ft of scrap EPS Densified to 4.7" x 4.7" x 75" brick weight = 16 lbs**

**COPYRIGHT STYROCYCLERS 2008**

**45.3 Cu Ft densified to .958 Cu Ft or 1.68 Cu. Yds to .035 Cu Yds.**

**How much \$\$ GREEN \$\$ can you save by avoiding costly dumpster pick ups do to volume?**

**THINK GREEN - BE GREEN - SAVE GREEN  
CALL STYROCYCLERS**